

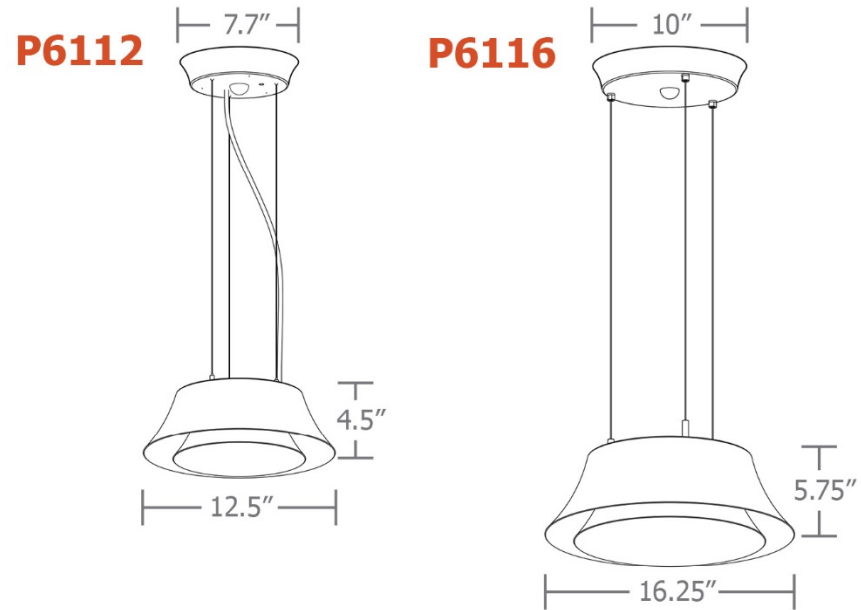


min!skrt™ 5-slider

your lighting rep has  
recommended the **min!skrt™**  
pendant for your project  
Let's take a quick look:



## sizes and lumens



- P6112 (12") / 1001 – 2645 lm
- P6116 (16") / 2120 – 3970 lm



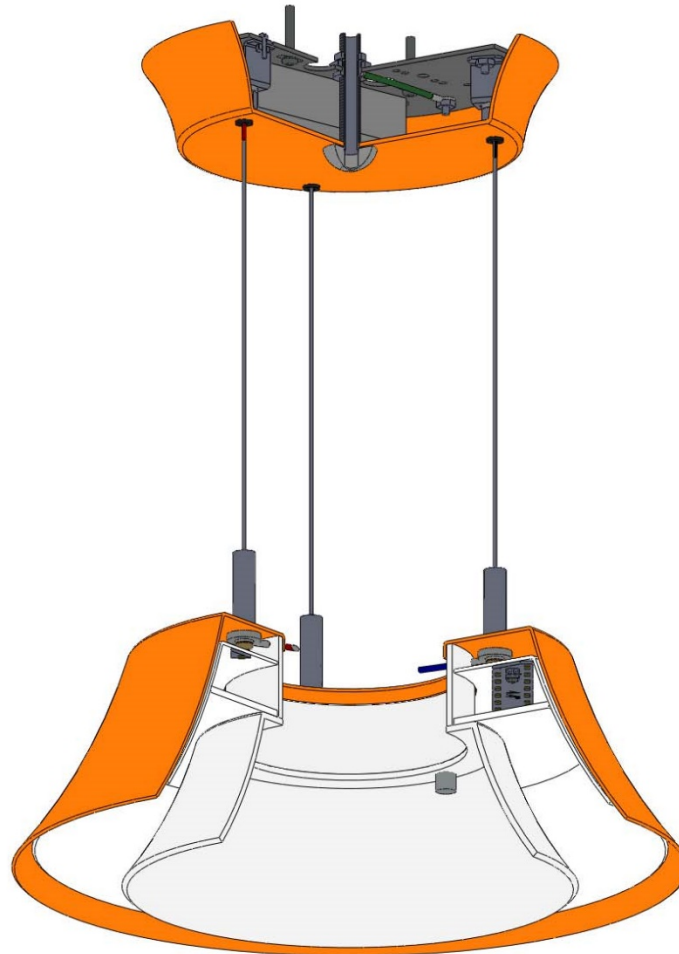
# construction

canopy mounted , programmable driver, constant current, universal input (120-277v), field maintainable, 0-10v controllable to 1% dimming.

(POC) power over cable suspension system option (shown here) provides a clean look without the need for a separate power cord

metal core LED boards held in place mechanically for easy maintenance

precision CNC spun aluminum housing w/ aluminum liner powder coat painted in high reflectance matte white finish



optional colored cloth power cord in blue, orange, purple, red or white & gray dot

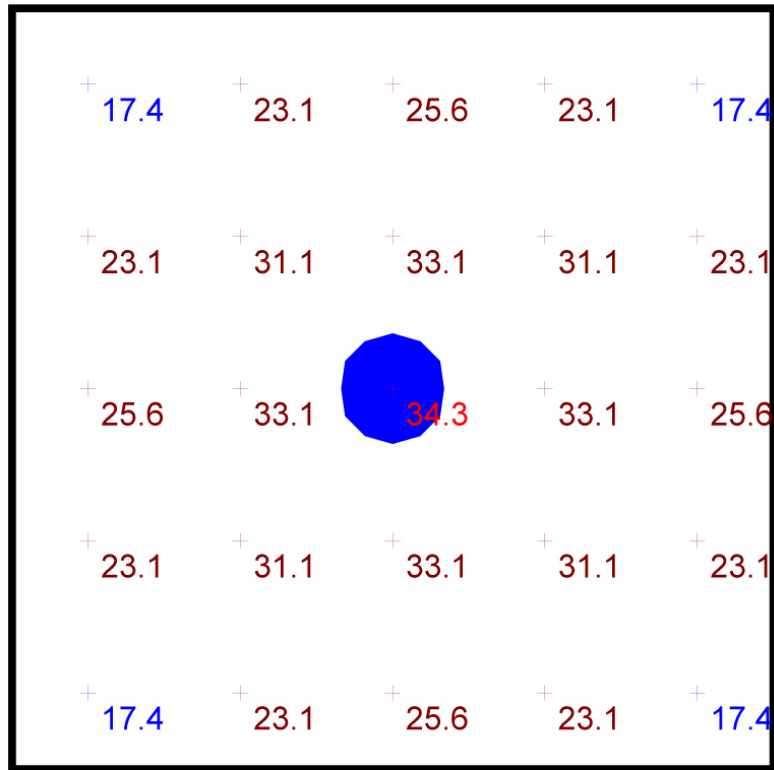
cloth cord canopy holds three ultra-thin vertical, stainless steel cables with field adjustable micro-grippers for exact AFF mounting height

21 standard powder coat paint finishes + custom RAL colors

diffuser available in either translucent white acrylic or spun aluminum powder coat painted in high reflectance matte white

# performance

Statistics						
Description	Symbol	Avg	Max	Min	Max/Min	Avg/Min
min!skrt	+	25.9 fc	34.3 fc	17.4 fc	2.0:1	1.5:1



**Plan View**  
Scale - 1" = 2ft

- 10' x 10' x 10'H space
- 80/50/20 reflectances
- bottom of fixture at 8' aff
- FC readings at 2.5' aff
- layout conducted using P6116-A, acrylic diffuser, HI lumen package (3970 delivered lumens)





[www.impactltg.com](http://www.impactltg.com)

- spec sheet and color chart
- photometric files and BIM models
- built to order in Saint Louis, MO, USA
- 4-week lead time

min!skrt™ 5-slider

